

CAD COURSE

CAD-207 MASTER'S DIPLOMA IN PRODUCT DESIGN-CAD

OBJECTIVE: To understand concept and create model in editable and industry procedure.

DURATION - 70 DAYS

DOMAINS (ANY ONE TO BE SELECTED):

➤ BIW

- Engine hood
- Fenders (front, rear)
- Rail Roof
- Trunk lid
- Side wall
- Front section
- Pillars (A, B, C)
- Chassis sub assemblies

➤ POWER TRAIN

- Transmission (Transmission brake)
- Drive shaft & Differentials
- Front & Rear axles - Final drive
- Flywheel
- Clutch
- Gearbox
- Propeller shaft
- Torque converter / Transfer box
- Universal joint
- Final drive
- Suspension system
- Radiator / Engine cooling system
- Exhaust / Emission control system

➤ CHASSIS

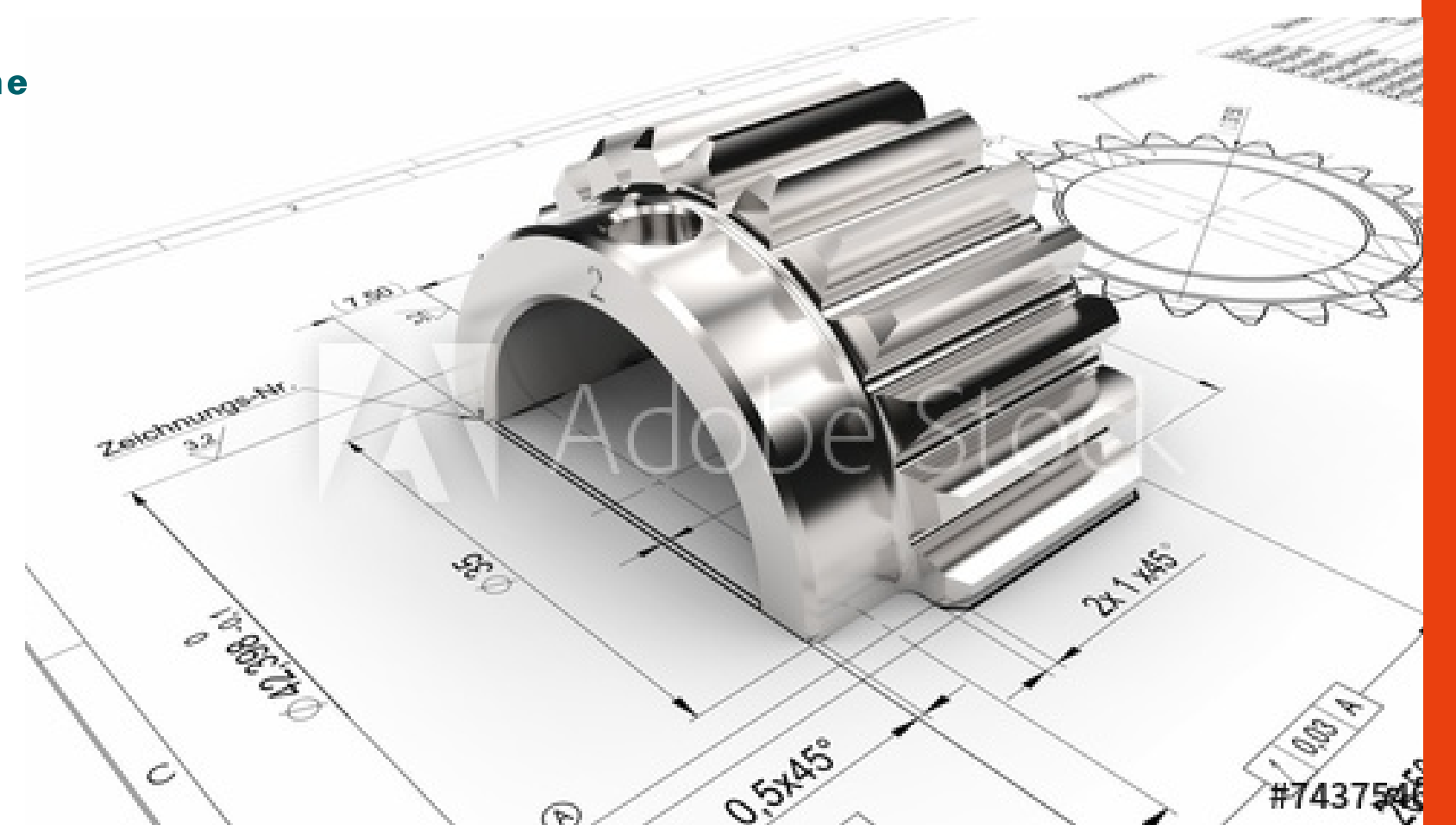
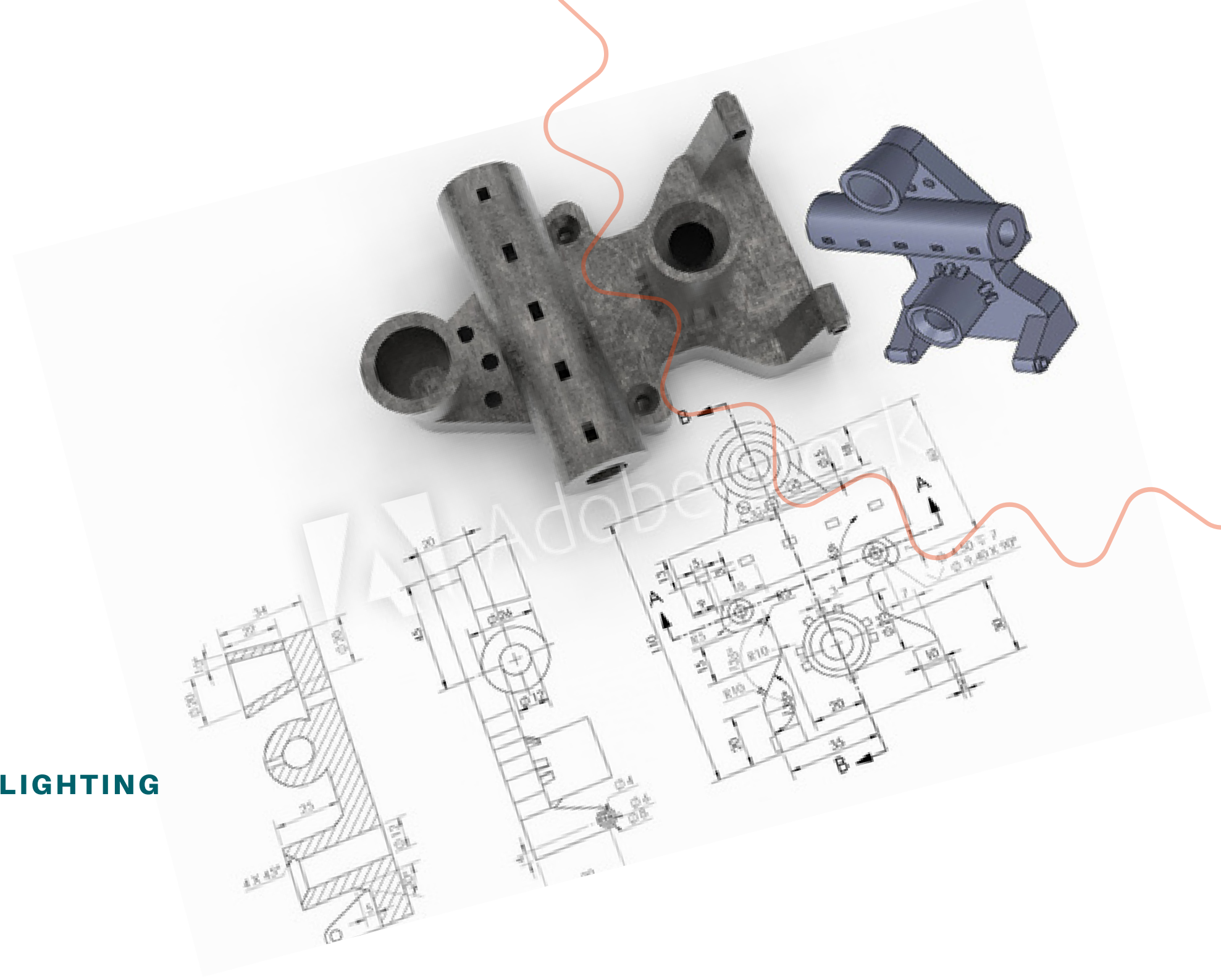
- Front & rear cross member
- Torsion beam axle
- Front & rear lower arm
- Frame
- Radiator
- Steering system
- Braking system

➤ WIRING HARNESS

- Connectors
- Terminals
- Locks
- Wires
- Cables
- Outer coverings
- Fuses
- Grommets
- Outer coverage/Insulators
- Relays
- Strain relief
- Ties

➤ AUTOMOTIVE LIGHTING DESIGN

- Housing
- Lens
- Reflector
- Marker lights
- Projector lens
- Carrier frame
- Turn indicator
- Cooling module
- Design trim
- Control unit
- Supporting frame



+91 9884 36 36 30, +91 9884 36 36 40



mira@meshoftinnotech.com